

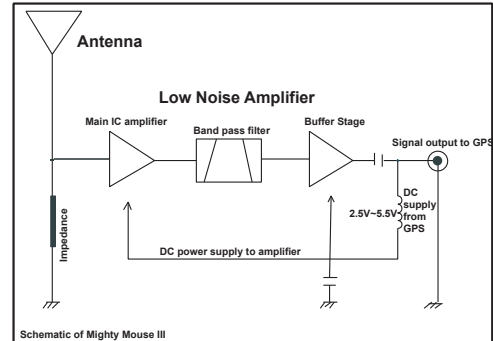
Mighty Mouse III

Active GPS Antennas



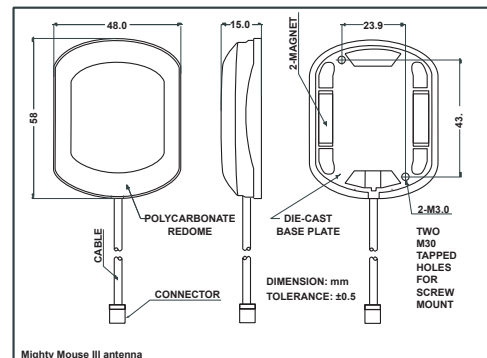
Mighty Mouse III (Low Power)

- 26dB gain low noise amplifier
- Maximum of 6mA current consumption
- 2.5V to 5.5V DC



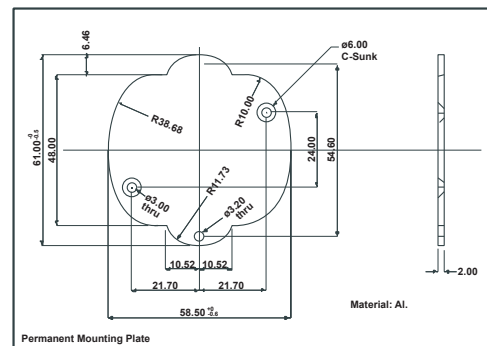
Mechanical and Environmental

- Dimensions: 58mm x 48mm x 15mm
- Weight: 65g
- Mounting: dual magnet mount or screw on metal plate mount
- Cable: RG174/U, 5m, strength 6kg @ 5sec.
- Connector: Universal FME to TNC/ BNC/SMA/SMB/MCX
- Temperature: Operating -40°C to 85°C, Storage -50°C to 95°C
- Humidity: 95% non-condensing
- Water: 100% waterproof



Antenna Element

- Frequency: Center at 1575.42MHz
- Polarization: Right handed circular polarization
- Gain @ 90: 5dB typical
- Gain @ 10: -1dB typical
- Axial Ratio: 3dB max.
- Output VSWR: 1.5:1 max.
- Impedance: 45
- LNA Noise: 1.5dB typical 2.2dB max



Ordering Information

Part Number	Description
MM3	Mighty Mouse III, 26 dB gain GPS Antenna with 5 meter cable (2.5V to 5.5V DC)

Please specify connector type in "Comments" field in on-line order form

Straight connector; replace XXX with SMB, SMA, BNC, TNC, MCX or NTYPE

Right angle connector; replace XXX with SMB, SMA, BNC, TNC, MCX or NTYPE

Prairie Geomatics Ltd.

5 Bison Hills Rd, PO Box 141 • Minnedosa MB R0J 1E0 • Canada

Tel: 1-888-444-0302 Fax: 204-867-5722 www.gpszone.ca